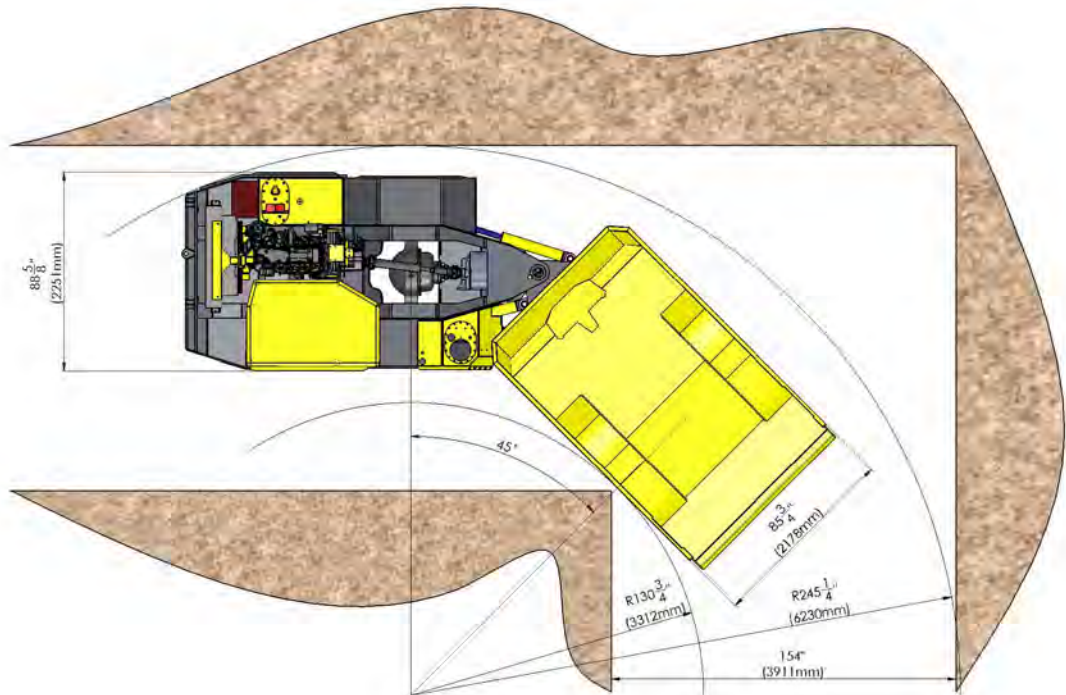
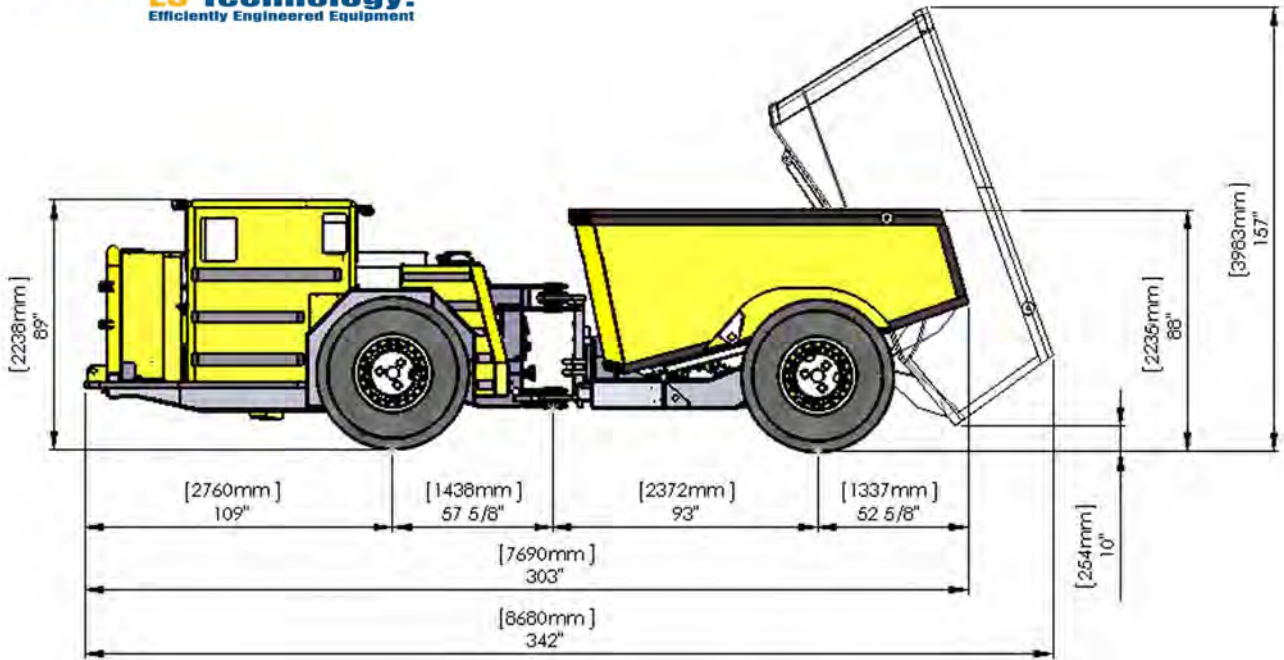


TM-C418 HAULAGE TRUCK





STANDARD FEATURES

- Rated Load Capacity: 36,000lbs. (18143 kg.)
- Box Capacity: 10-15 Cubic Yard. (7.6-11.4 Cubic Meter.)

- Heavy Duty Powertain.
- Engine: Cummins QSB6.7 Series Diesel Tier 3
- Torque Converter: Dana C-320 Series with Optional Lock-Up
- Transmission: Dana R-32000 Series
- Axles: Dana 16 D 2149 Planetary Drive Axle with Liquid Cooled Posi-Stop Brakes.

- Center Articulated Hydraulic Steering.
- Central Lube Stations.
- Central Hydraulic Pressure Testing Points.
- SAE Type Hose Fittings.

- Enclosed Air Conditioned R.O.P.S Operator Cab.
- Open Cab Version Available.
- 24v Electrical System.
- Electric Transmission Controls.
- Hydraulic Joystick Operated Steering & Bucket Controls.
- Auto Fire Suppression System.
- Back Up Alarm.
- Emergency Steering & Braking System Accumulators.
- 16.00 R25 Tires



TECHNICAL SPECIFICATIONS

MAIN DIMENSIONS

Total Length:	321.125in	(8157mm)
Total Width:	88.625in	(2251mm)
Total Height:	88.000in	(2235mm)
Inner Turn Radius:	130.750in	(3312mm)
Outer Turn Radius:	245.250in	(6230mm)
Turn Angle:	45.0 Degrees	

WEIGHTS

Operation Weight:	36,000lbs	(16330kg)
Total Loaded Weight:	72,000lbs	(34473kg)

FRAMES

Rear and Front Frames:	Welded Steel Box Construction
Material:	G40.21 300W Plate G40.21 350W H.S.S

TIRES

Tire Size:	16.00 R25
------------	-----------

BOX

Capacity:	10-15 Cubic Yard	(7.6-11.4 Cubic Meter)
	Options Available	
Dump Height:	157.000in	(3983mm)
Dump Angle:	70.0 Degrees	

ENGINE

Diesel Engine:	Cummins B6.7 Series Tier 3	
Output:	220HP	(164KW)
R.P.M:	2200	
Cylinders:	6	
Displacement:	409 Cubic Inch	(6.7L)
Combustion Principle:	Direct Injection/Turbo Charged	

POWERTRAIN

Transmission:	Dana R-32000 Series
Torque Converter:	Dana C-320 Series (Lock-Up Optional)
Axles:	Dana 16D 2149 (Posi-Stop)